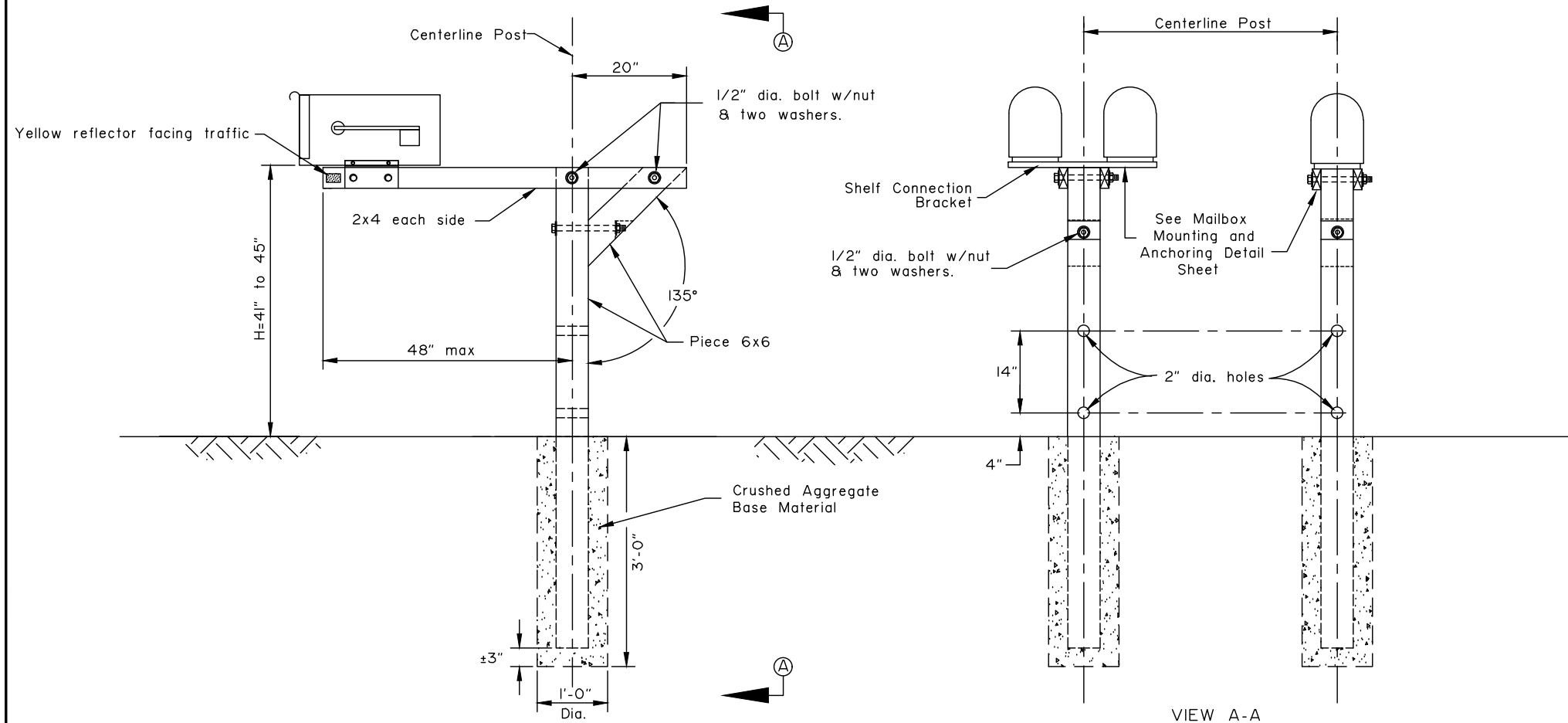


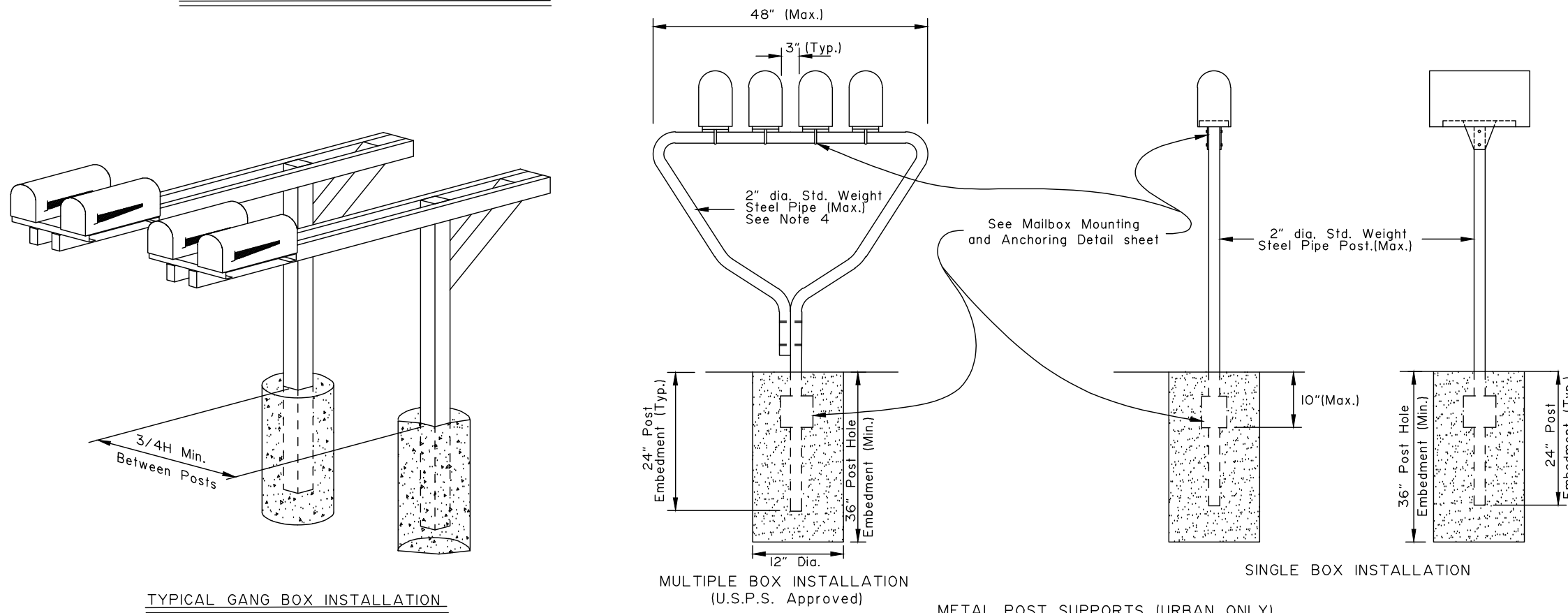
GENERAL NOTES:

1. See Standard Plan M-20 for locating posts and boxes along roadway.
2. Posts shall be 6"x6" Treated Wood Post S4S or 2" (Max.) Standard Weight Steel Pipe.
3. Each support structure shall not accommodate more than two mailboxes unless the support structure conforms to the requirements of the U.S. Postal Service and is approved by the Engineer.
4. Other steel or aluminum structural sections may be used except, the stiffness properties equivalent to the 2" dia. standard weight steel pipe shall not be exceeded.
5. Reflectors shall have a minimum area of 4.5 sq. in.



TYPICAL WOOD CANTILEVER INSTALLATION

VIEW A-A



TYPICAL GANG BOX INSTALLATION

MULTIPLE BOX INSTALLATION
(U.S.P.S. Approved)

SINGLE BOX INSTALLATION

METAL POST SUPPORTS (URBAN ONLY)

State of Alaska DOT&PF
ALASKA STANDARD PLAN

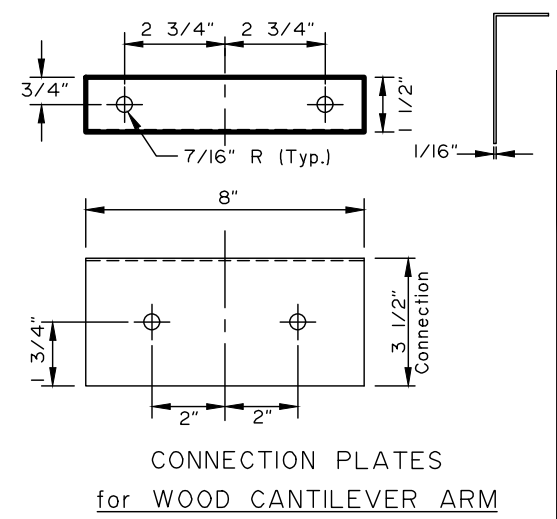
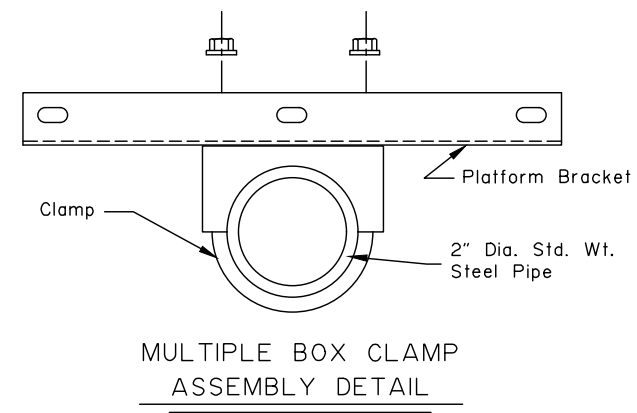
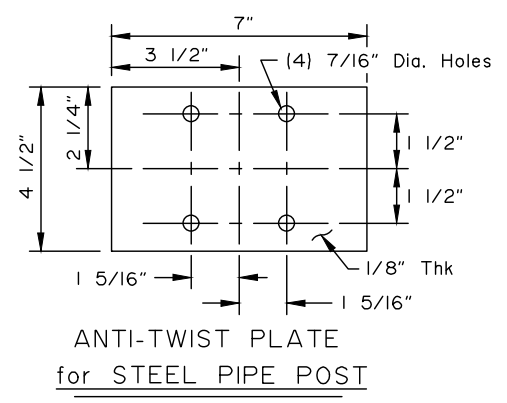
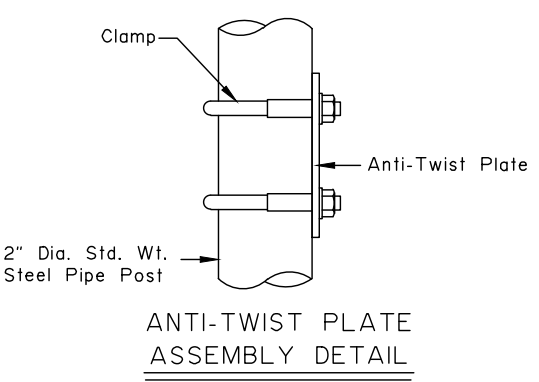
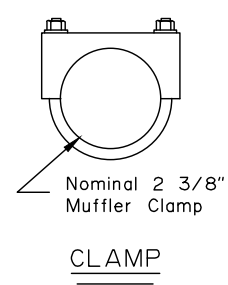
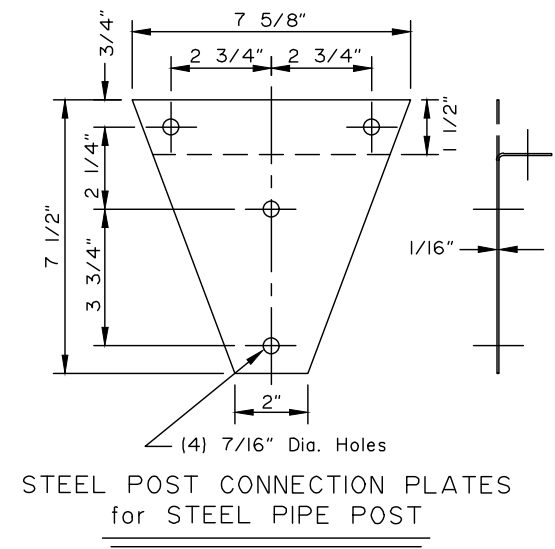
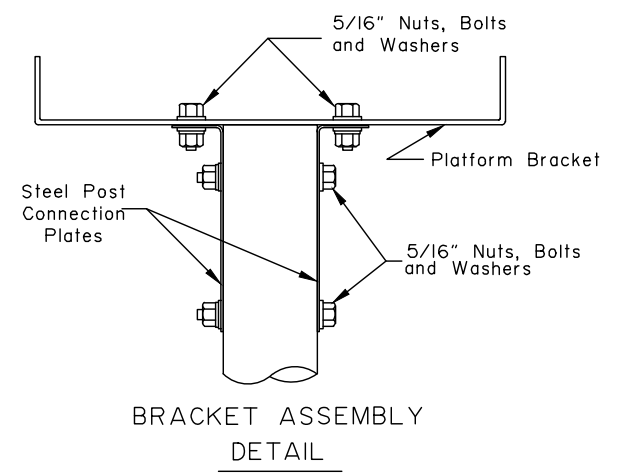
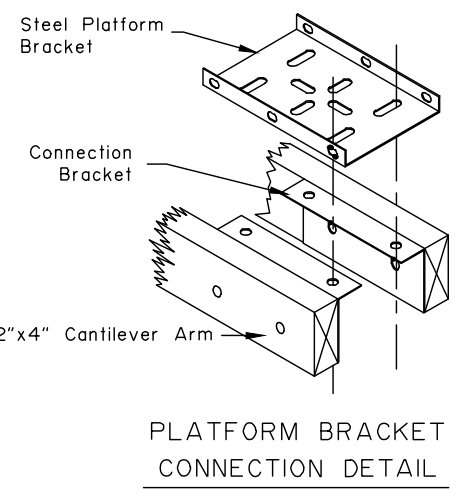
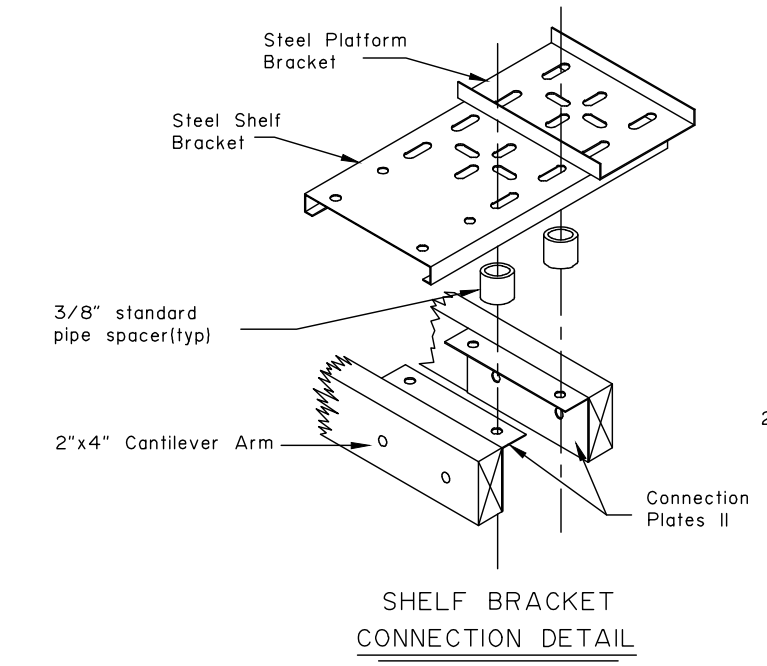
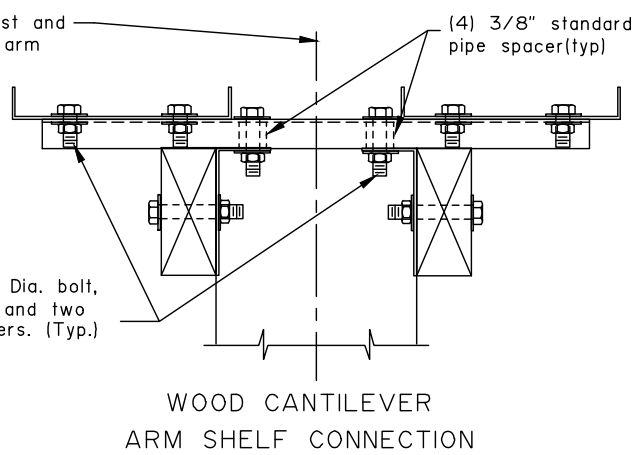
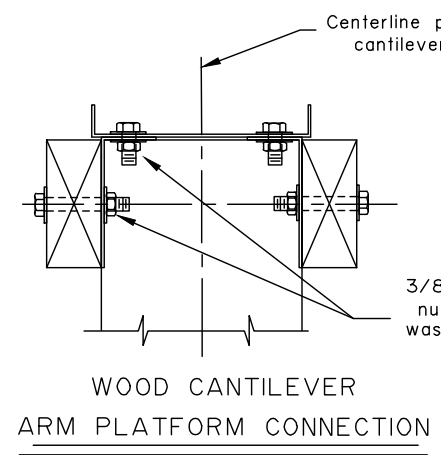
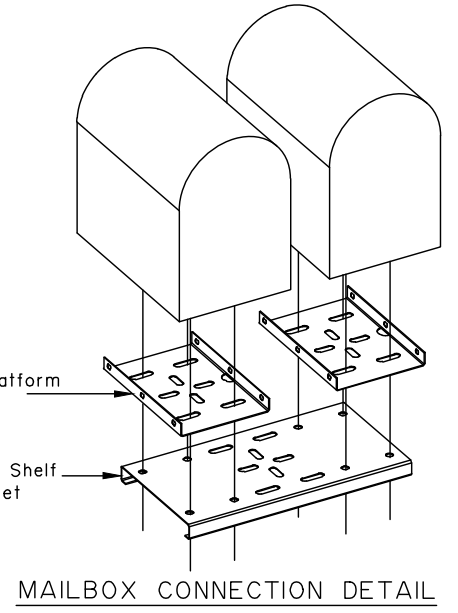
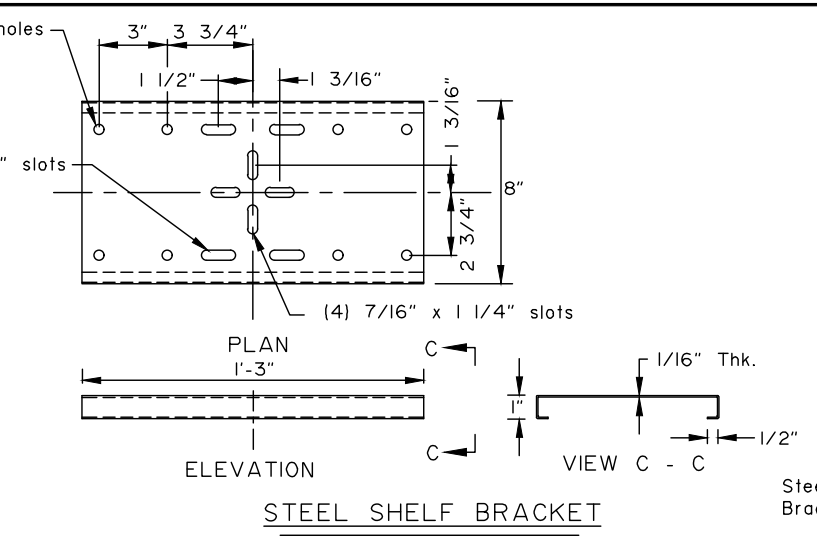
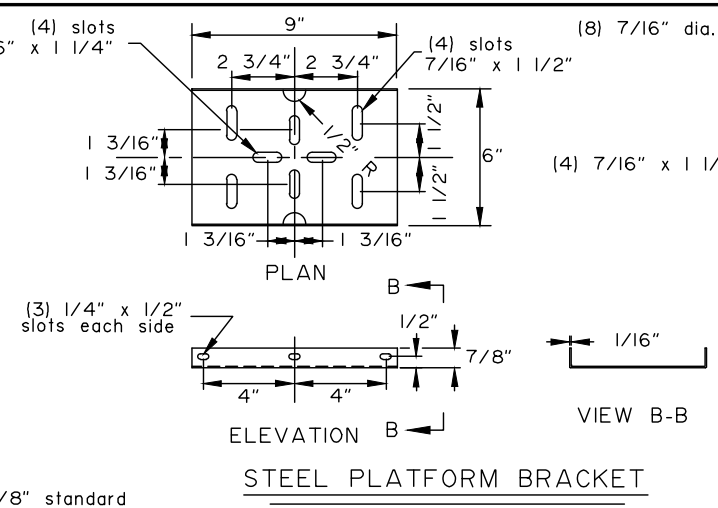
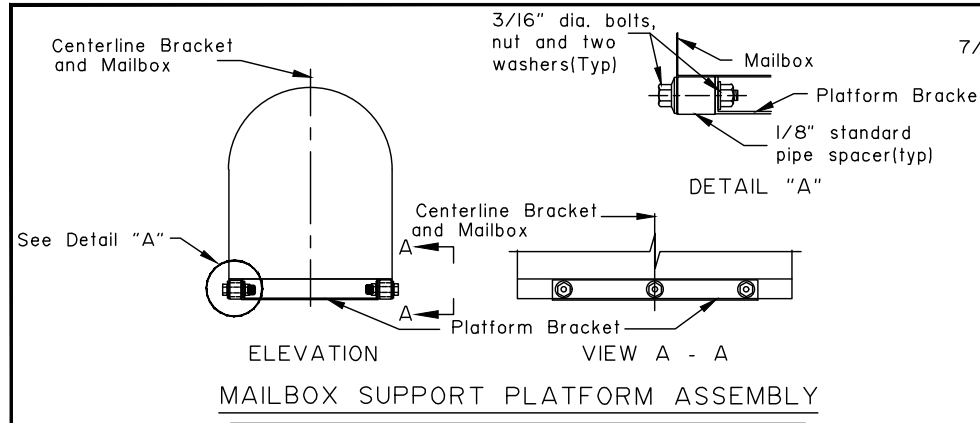
MAILBOX
INSTALLATION

Adopted as an Alaska Standard Plan by: *Carolyn Morehouse*
Carolyn Morehouse, P.E.
Chief Engineer

Adoption Date: 7/17/2020

Last Code and Stds. Review
By: KLH Date: 7/8/2020

Next Code and Standards Review date: 7/8/2030



State of Alaska DOT&PF
ALASKA STANDARD PLAN

MAILBOX MOUNTING AND ANCHORING DETAILS

Adopted as an Alaska Standard Plan by: *Carolyn Morehouse*
Carolyn Morehouse, P.E.
Chief Engineer

Adoption Date: 7/17/2020

Last Code and Stds. Review By: KLH Date: 7/8/2020

Next Code and Standards Review date: 7/8/2030