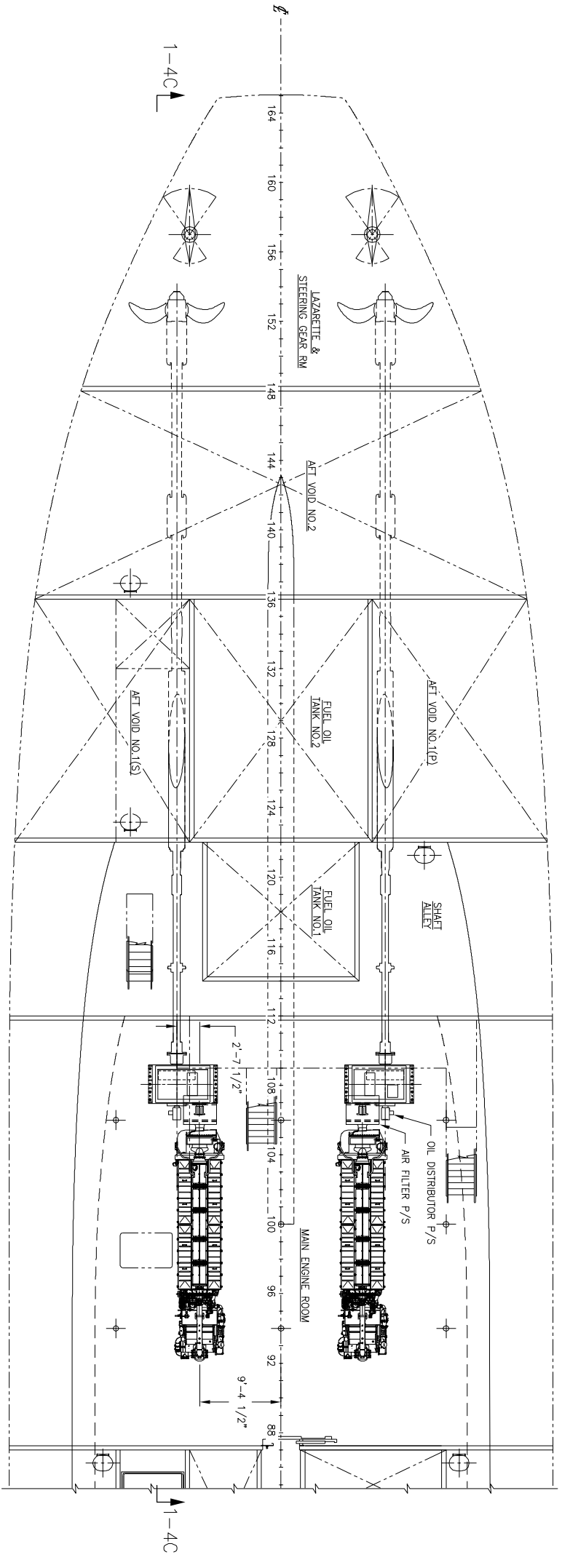
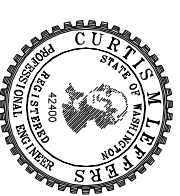


ELEVATION 1-4C
 STBD PROPULSION MACHINERY
 STBD LING PORT 12'-0" FT OFF CENTERLINE
 SCALE: 1/8"=1'-0"



PLAN 1-4A
 PROPULSION MACHINERY ARRANGEMENT
 2ND DECK LOOKING DOWN
 SCALE: 1/8"=1'-0"

SIGNED COPY
 IS ON FILE



Elliott Bay Design Group
 Seattle • New Orleans

CLIENT: ALASKA MARINE HIGHWAY SYSTEM
 PROJECT: Ketchikan, Alaska
 PROJECT: ALASKA CLASS FERRY

PRELIMINARY PROPULSION
 SYSTEMS ARRANGEMENT

DATE: 10/01/09
 DATE: 10/27/09
 DATE: 10/29/09

SIZE: D
 SHEET: 1 OF 2

PROJECT NO: 06137-005-230-1

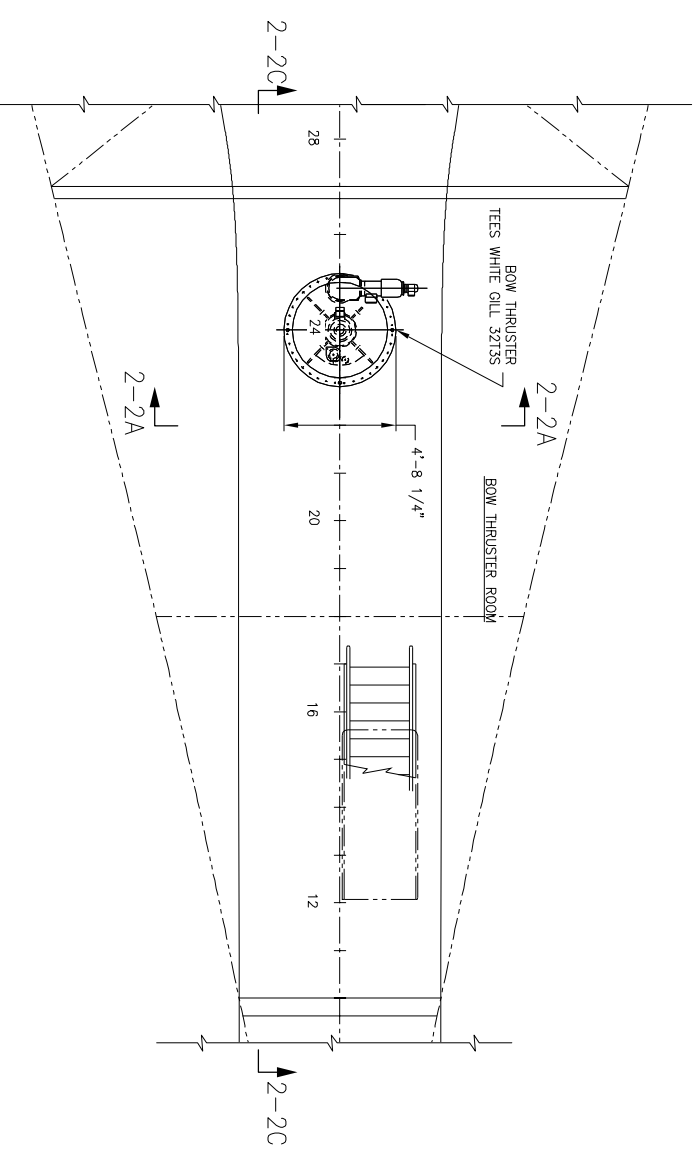
REFERENCES

- 06137-005-101-1 - PRELIMINARY PROFILES AND ARRANGEMENTS

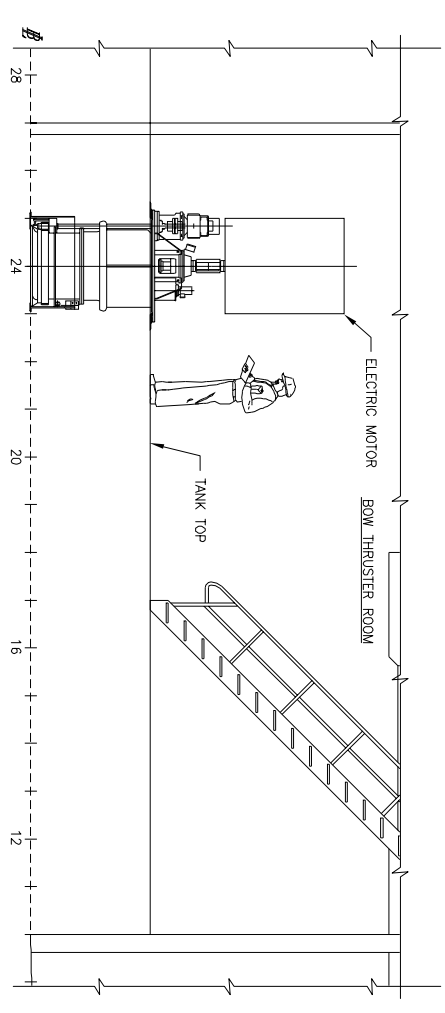
- GENERAL NOTES**
- THIS DRAWING REPRESENTS A PRELIMINARY PROPULSION SYSTEMS ARRANGEMENT AND IS NOT INTENDED FOR CONSTRUCTION. ADDITIONAL DESIGN DETAILS WILL BE DEVELOPED IN THE CONTRACT DESIGN PHASE.
 - DIMENSION IS MEASURED FROM THE CENTERLINE OF THE AFT FACE OF THE MAIN ENGINE FLYWHEEL.
 - DIMENSION IS MEASURED FROM THE CENTERLINE OF THE AFT FACE OF THE REDUCTION GEAR OUTPUT FLANGE.

REV	ZONE	DESCRIPTION	DWN	DATE	APVD

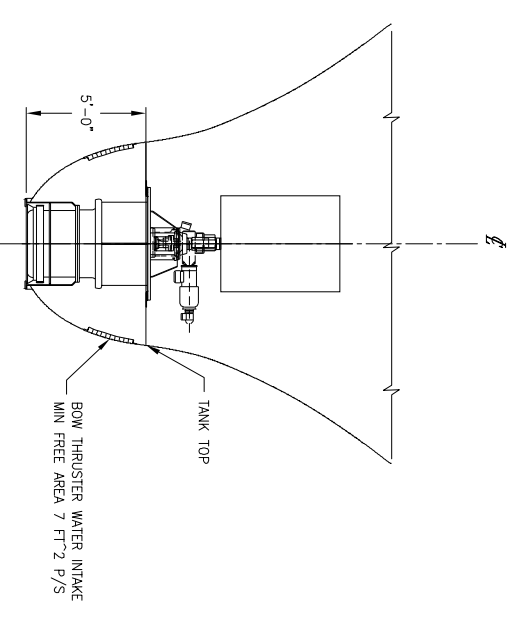
HALF SIZE PRINT



PLAN 2-4C
 BOW THRUSTER ARRANGEMENT
 LOOKING DOWN FROM 2ND DECK
 SCALE: 1/4"=1'-0"

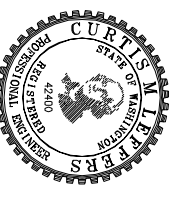


ELEVATION 2-2C
 BOW THRUSTER
 STBD LKMG (NBD)
 SCALE: 1/4"=1'-0"



SECTION 2-2A
 FRAME 22
 LOOKING AFT
 SCALE: 1/4"=1'-0"

SIGNED COPY
 IS ON FILE



HALF SIZE PRINT

SIZE	DWG. NO.	06137-005-230-1	SHEET	2	OF	2
SCALE	AS NOTED	FILE NAME	06137-005-230-1.dwg			